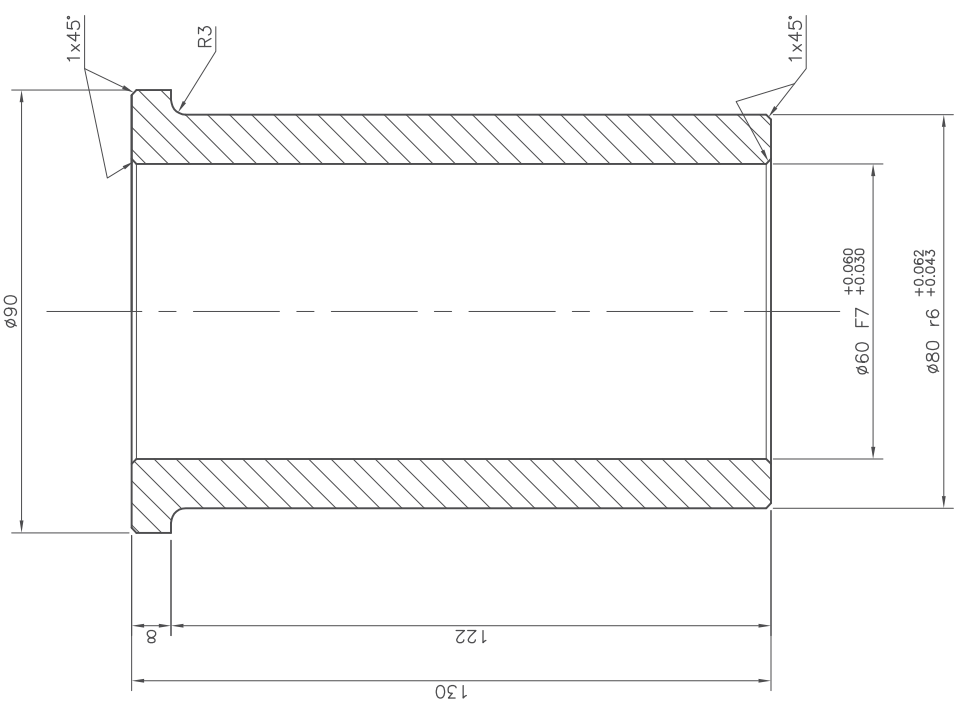


1	2	3	4	5	6
A	B	C	D	A	B
Item No.	DESCRIPTION	QTY.	MATERIAL	Wt. kg TOTAL	REMARKS
	<p>NOTES: -</p> <p>1) MATERIAL:- GZ-CuSn12</p> <p>2) WEIGHT :- 2.3 KG.</p>				



THIS DWG IS THE PROPERTY OF OMSA STEEL. THIS MUST NOT BE COPIED OR REPRODUCED IN ANY MANNER OR DESIGN DISCLOSED OR USED IN ANY MANNER WITHOUT THE WRITTEN PERMISSION OF OMSA STEEL.

-	-	-
REV	REFERENCE DWG. No.	No.
0	2577346	3

REQUEST No. 2577346 No. 3

REV. 0