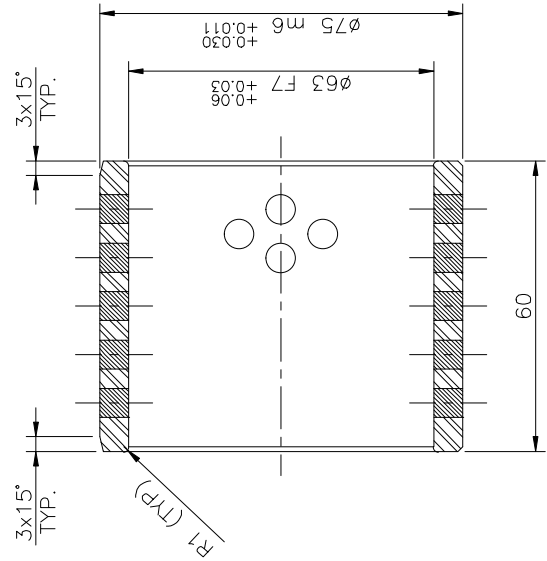


1	2	3	4	5	6
Item No.	DESCRIPTION	QTY.	MATERIAL	Wt. kg TOTAL	REMARKS

NOTES:-

- MATERIAL :- BRONZE GRAPHITE SELF LUBRICATED
- WEIGHT :- 0.7 KG.



Digitally signed by MOHAMMED SHAIKH
 DN: C=QA, OU=Engineering CAD Lab, O=Qatar Steel, CN=MOHAMMED SHAIKH, E=mohammedshaiikh@qatarsteel.com.qa
 Location: Engineering CAD Lab
 Date: 2022-02-02 07:21:51

REV	DATE	DESCRIPTION	DRN	CHD	APP

ITEM CODE	ASSET NO.	AREA / EQUIP. No.
—	501HYDS069-001	SMS/EFCC-5/EAF

QATAR STEEL COMPANY		
DO NOT SCALE	NAME	DATE
	DEVEN	31/01/2022
	CHECKED	MATEEN
	APPROVED	MATEEN
	SUPPLIER DRG. No.	—
	SCALE :	1:1

GENERAL NOTES
 ALL DIMENSIONS ARE IN MM UNLESS SPECIFIED OTHERWISE.
 SURFACE FINISH SHALL BE TO BE \sqrt{R} OR BETTER, UNLESS SPECIFIED OTHERWISE.
 ALL SHARP EDGES TO BE CHAMFERED TO 0.6x45°(MAX).
 ALL SHARP CORNERS SHALL HAVE ROUNDS (R4.0).
 RECESSES & GROOVES FROM ALL FEATURES SHALL BE CHAMFERED.
 ALL GAS CUT EDGES SHALL HAVE SURFACE FINISH \sqrt{R} OR BETTER, MACHINE ALL OVER.

Q No.	3-11973	SHT No.	1 OF 1	SIZE	A3
DRG. No.	129-MHEA-503-01-B2	REV.	0		

REQUEST No.	2618211	No.	3	REFERENCE DWG. No.	—
REV	—	REV	4		